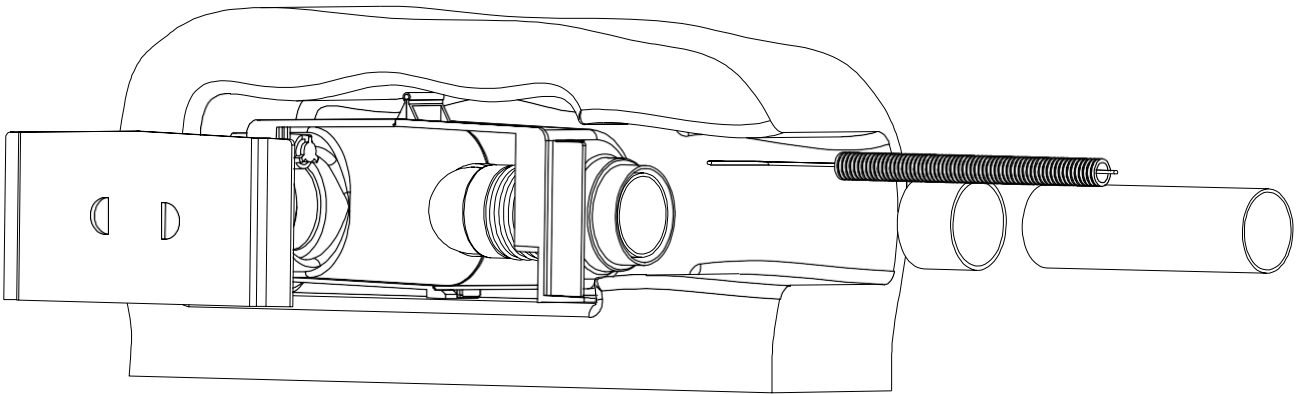


Vacpan wall-mounting instructions

Construction stage

1. Make a hole in the wall to accommodate the box and piping.
2. Connect the pipeline to the box.
3. Place the box in the wall and fill the remaining space with construction foam except for the interior of the box.
4. Lead the control cable through the opening in the box.
5. Insert the connector into the box as shown in the drawing. **(Do not glue together!)**
6. At the final stage, the box should be covered with a cardboard blank for plastering.



Finishing stage

1. When installing the floor, fill the space from the floor surface to the lower edge of the installation box.
2. Put the elbow of the connector on the vacpan and then press it into the installation box.
(Do not glue together!)
3. Tighten the control cable to the vacpan.
4. Then tighten the vacpan body and the shield.
5. After a leak test, put the masking blanks to cover the screws on the vacpan shield.

