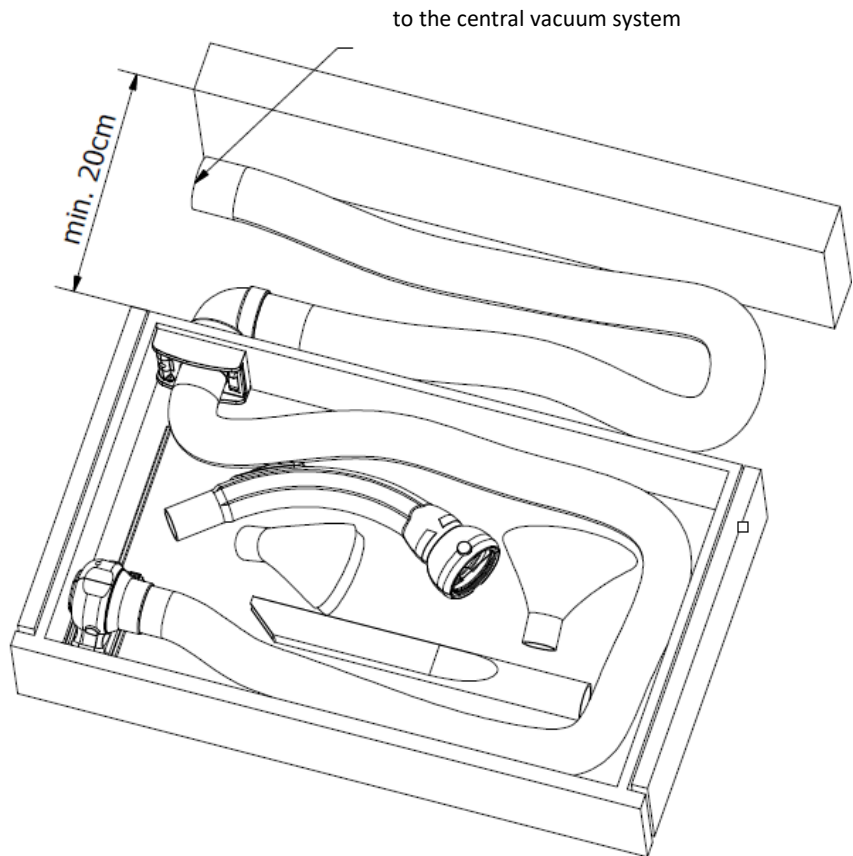
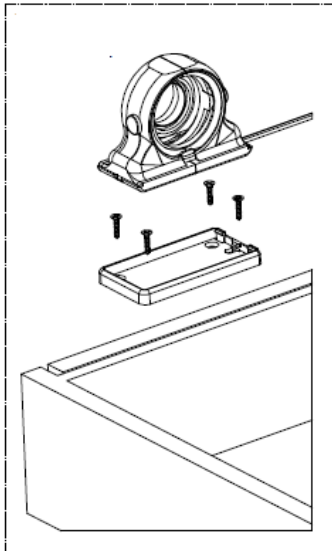


INSTRUCTIONS FOR ASSEMBLY AND USE OF LEO SPEED IN A DRAWER

fastening LEO SPEED to a drawer



Note: LEO SPEED can be mounted in a drawer only if it is shallower than the cabinet by at least 20 cm.

1. Make a hole in the drawer rear panel for the connection socket.
2. Install the connection socket.
3. Connect the connection socket to the central vacuum system with the use of an outflow hose.
4. Install LEO SPEED at the bottom of the drawer and connect control cables to the vacuum cleaner.
5. Connect LEO SPEED to the connection socket with the use of the vacuuming hose.
6. When the end of the vacuuming hose is attached to LEO SPEED, the vacuum cleaner is switched off. The vacuum cleaner starts automatically when the end of the vacuuming hose is released. The handle and the vacuuming tip are attached onto the end of the vacuuming hose.
7. After vacuuming, remove the handle from the end of the vacuuming hose. Put the end of the vacuuming hose back into LEO SPEED. The vacuum cleaner will switch off automatically.

See reverse side for INSTRUCTIONS FOR ASSEMBLY AND USE OF LEO SPEED IN A CABINET