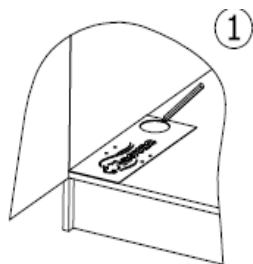
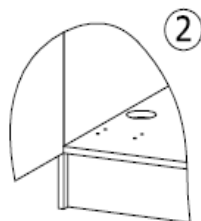


SPEED LEO VACUUMING KIT INSTALLATION INSTRUCTIONS

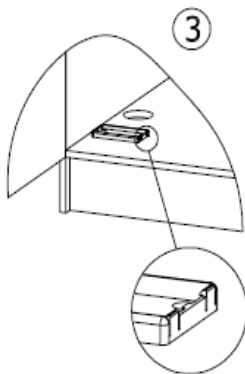
**2-YEAR
WARRANTY**



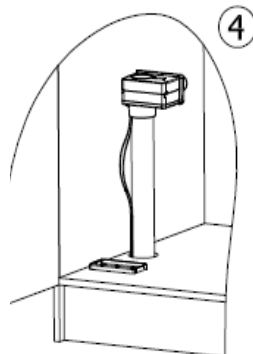
1 Use the template to mark the holes.
Put the template with the logo facing up.



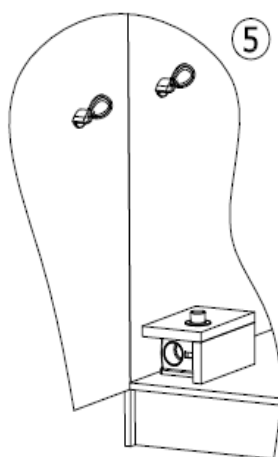
2 Drill the marked holes for the mounting plate and the outflow hose.



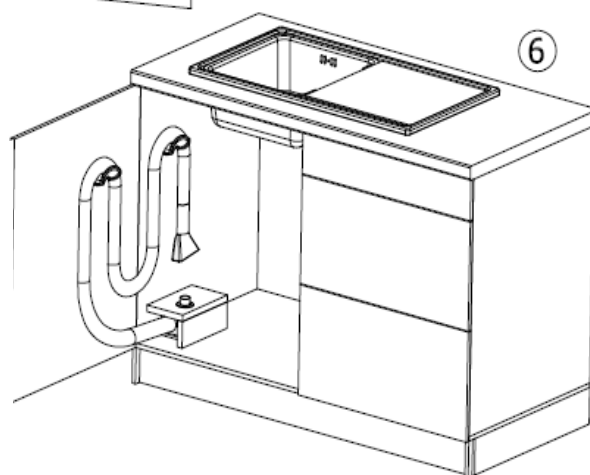
3 Fasten the mounting plate with screws, paying attention to the position of the plate latches



4 Connect the control cables and attach the outflow hose to SPEED LEO



5 Snap SPEED LEO onto the mounting plate fastened to the bottom of the cabinet and cover it with furniture boards. Then attach hose holders on the cabinet.



6 Attach the hose with a vacuuming tip to SPEED LEO.

SPEED LEO INSTRUCTIONS FOR USE

1. Remove the vacuuming hose, then switch on the central vacuum button.
2. After vacuuming, hang the hose on the mounts and press the button.
The button is pressed in **two stages**:
A) A light push will switch off the central unit.
B) When the central unit is off and the vacuum is released, push the button all the way down.

NOTE: Use for vacuuming dry waste and rubbish only.

Warranty terms and conditions:

The warranty is valid provided that the instructions for use and installation are observed.

Contents of the kit:

1. Peripheral device with two plates – 1 pc.
2. Spiral hose – 1 pc.
3. Hose holder – 2 pcs.
4. Board-cover – 1 pc.
5. Fixing screws – 8 pcs.
6. Marking template – 1 pc.