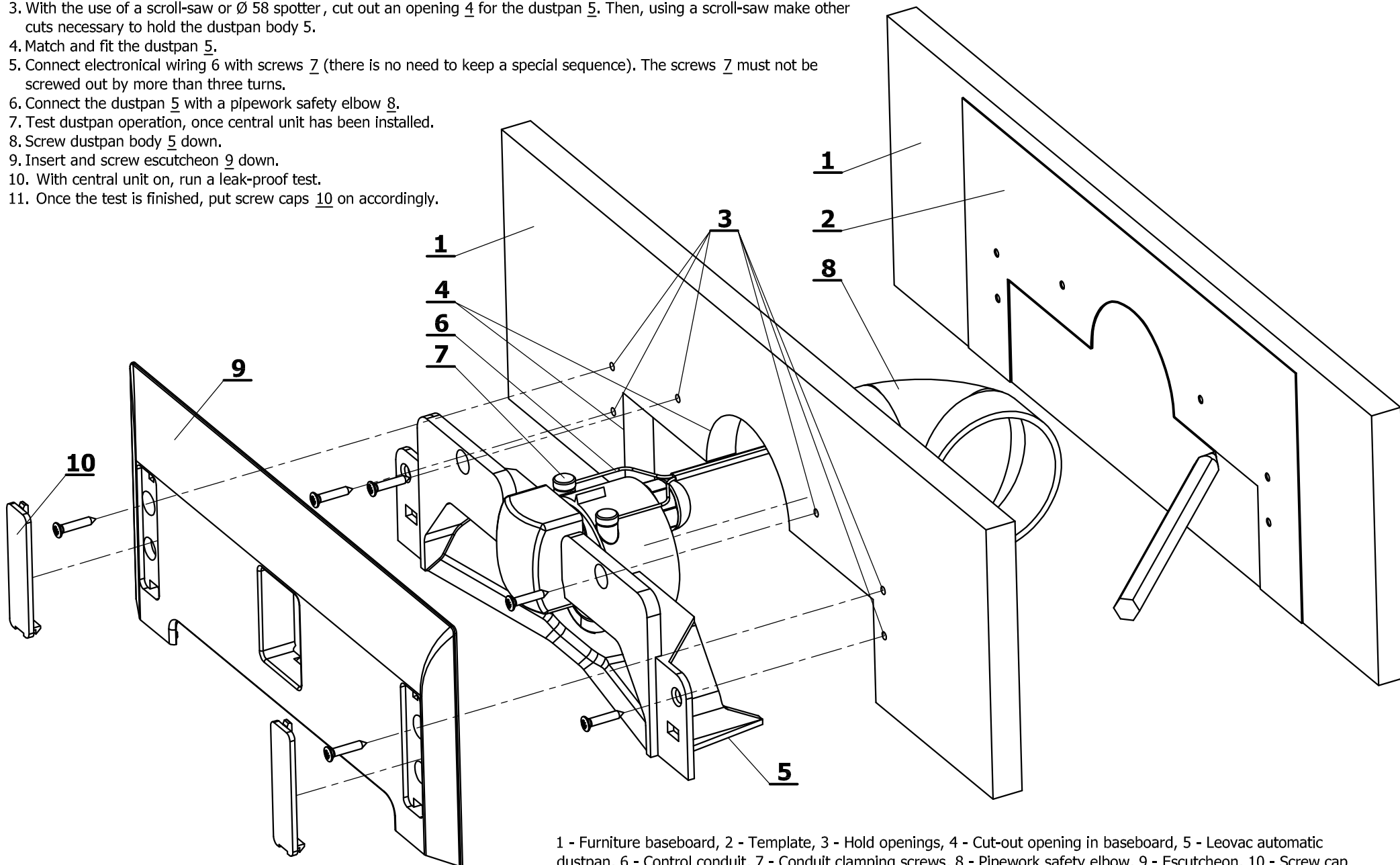


## Assembly instruction of the dustpan in a kitchen baseboard (or in another piece of furniture)

1. Using a template 2 (delivered along with packaging), map drill openings and a cut-out line on the furniture baseboard 1.
2. In the baseboard, drill openings 3 to hold a dustpan body 5 and an escutcheon 9.
3. With the use of a scroll-saw or  $\varnothing 58$  spotter, cut out an opening 4 for the dustpan 5. Then, using a scroll-saw make other cuts necessary to hold the dustpan body 5.
4. Match and fit the dustpan 5.
5. Connect electrical wiring 6 with screws 7 (there is no need to keep a special sequence). The screws 7 must not be screwed out by more than three turns.
6. Connect the dustpan 5 with a pipework safety elbow 8.
7. Test dustpan operation, once central unit has been installed.
8. Screw dustpan body 5 down.
9. Insert and screw escutcheon 9 down.
10. With central unit on, run a leak-proof test.
11. Once the test is finished, put screw caps 10 on accordingly.



1 - Furniture baseboard, 2 - Template, 3 - Hold openings, 4 - Cut-out opening in baseboard, 5 - Leovac automatic dustpan, 6 - Control conduit, 7 - Conduit clamping screws, 8 - Pipework safety elbow, 9 - Escutcheon, 10 - Screw cap